

THE KITCHEN WAREHOUSE

RESTAURANT SUPPLIES & EQUIPMENT





Food Preparation

Cutting Boards 	138 - 141
Cutlery 	142 - 143
Turners & Spatulas	144 - 145
Steak Knives	147
Cutlery Accessories	148 - 149
Poultry Shears	151
Cast Iron Ware	152 - 153
Thermometers	154 - 157
Scales	158 - 161
KitchenAid®	162 - 164
Hand Tools	165 - 167

With the ColorCode system for the preparation of food in every group, Chef Rousselle knows that each plate he serves will be free from any cross-contamination.

ColorCode System Cutting Boards

The tough task of safe food preparation is simple with the ColorCode System that takes the risk out of cross-contamination. The boards are color-coded by food group. They're non-absorbent and won't harbor food-borne bacteria. The non-skid surface won't dull knives, chip, crack, peel or warp. They're dishwasher safe and contamination can be further reduced with our matching knives. Custom cut boards are also available.



POLYETHYLENE CUTTING BOARD

ColorCode cutting boards are the ultimate defense in the prevention of cross-contamination. Exceptionally durable and essential for safe food preparation. The high-density polyethylene is dishwasher safe. Made in the U.S.A. See next page for white boards.



ITEM	COLOR	IN	CM	PACK
PER1218B	Blue	12 x 18 x 1/2	30.5 x 45.7 x 1.3	6
PER1218G	Green	12 x 18 x 1/2	30.5 x 45.7 x 1.3	6
PER1218R	Red	12 x 18 x 1/2	30.5 x 45.7 x 1.3	6
PER1218T	Tan	12 x 18 x 1/2	30.5 x 45.7 x 1.3	6
PER1218Y	Yellow	12 x 18 x 1/2	30.5 x 45.7 x 1.3	6
PER1218AST	Assorted	12 x 18 x 1/2	30.5 x 45.7 x 1.3	1/6
PER1520B	Blue	15 x 20 x 1/2	38.1 x 50.8 x 1.3	6
PER1520G	Green	15 x 20 x 1/2	38.1 x 50.8 x 1.3	6
PER1520R	Red	15 x 20 x 1/2	38.1 x 50.8 x 1.3	6
PER1520T	Tan	15 x 20 x 1/2	38.1 x 50.8 x 1.3	6
PER1520Y	Yellow	15 x 20 x 1/2	38.1 x 50.8 x 1.3	6
PER1520AST	Assorted	15 x 20 x 1/2	38.1 x 50.8 x 1.3	1/6
PER1824B	Blue	18 x 24 x 1/2	45.7 x 61 x 1.3	3
PER1824G	Green	18 x 24 x 1/2	45.7 x 61 x 1.3	3
PER1824R	Red	18 x 24 x 1/2	45.7 x 61 x 1.3	3
PER1824T	Tan	18 x 24 x 1/2	45.7 x 61 x 1.3	3
PER1824Y	Yellow	18 x 24 x 1/2	45.7 x 61 x 1.3	3
PER1824AST	Assorted	18 x 24 x 1/2	45.7 x 61 x 1.3	2/3

ITEM	COLOR	IN	CM	PACK
PEL1218B	Blue	12 x 18 x 1	30.5 x 45.7 x 2.5	6
PEL1218G	Green	12 x 18 x 1	30.5 x 45.7 x 2.5	6
PEL1218R	Red	12 x 18 x 1	30.5 x 45.7 x 2.5	6
PEL1218T	Tan	12 x 18 x 1	30.5 x 45.7 x 2.5	6
PEL1218Y	Yellow	12 x 18 x 1	30.5 x 45.7 x 2.5	6
PEL1520B	Blue	15 x 20 x 1	38.1 x 50.8 x 2.5	3
PEL1520G	Green	15 x 20 x 1	38.1 x 50.8 x 2.5	3
PEL1520R	Red	15 x 20 x 1	38.1 x 50.8 x 2.5	3
PEL1520T	Tan	15 x 20 x 1	38.1 x 50.8 x 2.5	3
PEL1520Y	Yellow	15 x 20 x 1	38.1 x 50.8 x 2.5	3
PEL1824B	Blue	18 x 24 x 1	45.7 x 61 x 2.5	3
PEL1824G	Green	18 x 24 x 1	45.7 x 61 x 2.5	3
PEL1824R	Red	18 x 24 x 1	45.7 x 61 x 2.5	3
PEL1824T	Tan	18 x 24 x 1	45.7 x 61 x 2.5	3
PEL1824Y	Yellow	18 x 24 x 1	45.7 x 61 x 2.5	3

ITEM	COLOR	IN	CM	PACK
PEM1218B	Blue	12 x 18 x 3/4	30.5 x 45.7 x 1.9	6
PEM1218G	Green	12 x 18 x 3/4	30.5 x 45.7 x 1.9	6
PEM1218R	Red	12 x 18 x 3/4	30.5 x 45.7 x 1.9	6
PEM1218T	Tan	12 x 18 x 3/4	30.5 x 45.7 x 1.9	6
PEM1218Y	Yellow	12 x 18 x 3/4	30.5 x 45.7 x 1.9	6
PEM1520B	Blue	15 x 20 x 3/4	38.1 x 50.8 x 1.9	6
PEM1520G	Green	15 x 20 x 3/4	38.1 x 50.8 x 1.9	6
PEM1520R	Red	15 x 20 x 3/4	38.1 x 50.8 x 1.9	6
PEM1520T	Tan	15 x 20 x 3/4	38.1 x 50.8 x 1.9	6
PEM1520Y	Yellow	15 x 20 x 3/4	38.1 x 50.8 x 1.9	6
PEM1824B	Blue	18 x 24 x 3/4	45.7 x 61 x 1.9	3
PEM1824G	Green	18 x 24 x 3/4	45.7 x 61 x 1.9	3
PEM1824R	Red	18 x 24 x 3/4	45.7 x 61 x 1.9	3
PEM1824T	Tan	18 x 24 x 3/4	45.7 x 61 x 1.9	3
PEM1824Y	Yellow	18 x 24 x 3/4	45.7 x 61 x 1.9	3

www.kitchenwarehousevi.com



WHITE POLYETHYLENE CUTTING BOARD

These high-density polyethylene boards have an easy to clean, non-skid surface with shaped edges. They will not dull knives or warp. Available in a variety of thicknesses and individually shrink-wrapped. Made in the U.S.A.

ITEM	IN	CM	PACK
PER69	6 x 9 x 1/2	15.2 x 22.9 x 1.3	12
PER1218	12 x 18 x 1/2	30.5 x 45.7 x 1.3	6
PER1520	15 x 20 x 1/2	38.1 x 50.8 x 1.3	6
PER1824	18 x 24 x 1/2	45.7 x 61 x 1.3	3
PER1830	18 x 30 x 1/2	45.7 x 76.2 x 1.3	3
PEM69	6 x 9 x 3/4	15.2 x 22.9 x 1.9	12
PEM1218	12 x 18 x 3/4	30.5 x 45.7 x 1.9	6
PEM1520	15 x 20 x 3/4	38.1 x 50.8 x 1.9	6
PEM1824	18 x 24 x 3/4	45.7 x 61 x 1.9	3
PEM1830	18 x 30 x 3/4	45.7 x 62 x 1.9	3
PEL69	6 x 9 x 1	15.2 x 22.9 x 2.5	12
PEL1218	12 x 18 x 1	30.5 x 45.7 x 2.5	6
PEL1520	15 x 20 x 1	38.1 x 50.8 x 2.5	3
PEL1824	18 x 24 x 1	45.7 x 61 x 2.5	3
PEL1830	18 x 30 x 1	45.7 x 76.2 x 2.5	3

SLABS

PER4896	48 x 96 x 1/2	121.9 x 243.8 x 1.3	1
PEM4896	48 x 96 x 3/4	121.9 x 243.8 x 1.9	1
PEL4896	48 x 96 x 1	121.9 x 243.8 x 2.5	1



HARD RUBBER CUTTING BOARD

Choose from a wide selection of surface sizes to fit just right. These boards have a non-skid surface that will not dull cutlery, scar or warp. Made in the U.S.A. and individually shrink-wrapped.

ITEM	IN	CM	PACK
R1218	12 x 18 x 1/2	30.5 x 45.7 x 1.3	6
R1520	15 x 20 x 1/2	38.1 x 50.8 x 1.3	6
R1824	18 x 24 x 1/2	45.7 x 61 x 1.3	3
M1218	12 x 18 x 3/4	30.5 x 45.7 x 1.9	6
M1520	15 x 20 x 3/4	38.1 x 50.8 x 1.9	6
M1824	18 x 24 x 3/4	45.7 x 61 x 1.9	3
L1218	12 x 18 x 1	30.5 x 45.7 x 2.5	6
L1520	15 x 20 x 1	38.1 x 50.8 x 2.5	3
L1824	18 x 24 x 1	45.7 x 61 x 2.5	3

SLABS

R3696	36 x 96 x 1/2	91.4 x 243.8 x 1.3	1
M3696	36 x 96 x 3/4	91.4 x 243.8 x 1.9	1
L3696	36 x 96 x 1	91.4 x 243.8 x 2.5	1



CUTTING BOARD CLEANING BRUSHES

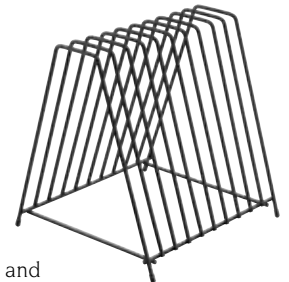
Choose between six color-coded brushes to help keep your ColorCode cutting boards clean and functional.

ITEM	COLOR	IN	CM	PACK
CBB1R	Red	6 1/2 x 2 1/2	16.5 x 6.4	12
CBB2Y	Yellow	6 1/2 x 2 1/2	16.5 x 6.4	12
CBB3BL	Blue	6 1/2 x 2 1/2	16.5 x 6.4	12
CBB4TN	Tan	6 1/2 x 2 1/2	16.5 x 6.4	12
CBB5GR	Green	6 1/2 x 2 1/2	16.5 x 6.4	12
CBB6WH	White	6 1/2 x 2 1/2	16.5 x 6.4	12



CUTTING BOARD STORAGE RACKS

Conveniently stores cutting boards for drying and space saving. You may also use the storage rack with the ColorCode System cutting boards to complete the cross-contamination control.



ITEM	IN	CM	PACK
26099	12 x 11 1/2 x 10 3/4	30.4 x 29.2 x 27.3	1

Please inquire about custom size boards for prep tables, sandwich tables, and other food service applications.

www.kitchenwarehousevi.com



MEDIUM DENSITY POLYETHYLENE CUTTING BOARD

White boards, medium density, with both sides usable.

ITEM	IN	CM	PACK
PER1218MD	12 x 18 x 1/2	30.5 x 45.7 x 1.3	6
PER1520MD	15 x 20 x 1/2	38.1 x 50.8 x 1.3	6
PER1824MD	18 x 24 x 1/2	45.7 x 61 x 1.3	3
PEM1218MD	12 x 18 x 3/4	30.5 x 45.7 x 1.9	6
PEM1520MD	15 x 20 x 3/4	38.1 x 50.8 x 1.9	6
PEM1824MD	18 x 24 x 3/4	45.7 x 61 x 1.9	3
PEL1218MD	12 x 18 x 1	30.5 x 45.7 x 2.5	6
PEL1520MD	15 x 20 x 1	38.1 x 50.8 x 2.5	3
PEL1824MD	18 x 24 x 1	45.7 x 61 x 2.5	3

MEDIUM DENSITY POLYETHYLENE COLORCODE SYSTEM BOARDS

Lighter weight, economy boards are all color-coded to provide the best control over cross-contamination.

Non-porous, non-absorbent and easy to clean for the safest food preparation.

ITEM	COLOR	IN	CM	PACK
PER1218MBL	Blue	12 x 18 x 1/2	30.5 x 45.7 x 1.3	6
PER1218MTN	Tan	12 x 18 x 1/2	30.5 x 45.7 x 1.3	6
PER1218MG	Green	12 x 18 x 1/2	30.5 x 45.7 x 1.3	6
PER1218MR	Red	12 x 18 x 1/2	30.5 x 45.7 x 1.3	6
PER1218MY	Yellow	12 x 18 x 1/2	30.5 x 45.7 x 1.3	6
PER1520MBL	Blue	15 x 20 x 1/2	38.1 x 50.8 x 1.3	6
PER1520MTN	Tan	15 x 20 x 1/2	38.1 x 50.8 x 1.3	6
PER1520MG	Green	15 x 20 x 1/2	38.1 x 50.8 x 1.3	6
PER1520MR	Red	15 x 20 x 1/2	38.1 x 50.8 x 1.3	6
PER1520MY	Yellow	15 x 20 x 1/2	38.1 x 50.8 x 1.3	6
PER1824MBL	Blue	18 x 24 x 1/2	45.7 x 61 x 1.3	3
PER1824MTN	Tan	18 x 24 x 1/2	45.7 x 61 x 1.3	3
PER1824MG	Green	18 x 24 x 1/2	45.7 x 61 x 1.3	3
PER1824MR	Red	18 x 24 x 1/2	45.7 x 61 x 1.3	3
PER1824MY	Yellow	18 x 24 x 1/2	45.7 x 61 x 1.3	3



ITEM	COLOR	IN	CM	PACK
PEM1218MBL	Blue	12 x 18 x 3/4	30.5 x 45.7 x 1.9	6
PEM1218MTN	Tan	12 x 18 x 3/4	30.5 x 45.7 x 1.9	6
PEM1218MG	Green	12 x 18 x 3/4	30.5 x 45.7 x 1.9	6
PEM1218MR	Red	12 x 18 x 3/4	30.5 x 45.7 x 1.9	6
PEM1218MY	Yellow	12 x 18 x 3/4	30.5 x 45.7 x 1.9	6
PEM1520MBL	Blue	15 x 20 x 3/4	38.1 x 50.8 x 1.9	6
PEM1520MTN	Tan	15 x 20 x 3/4	38.1 x 50.8 x 1.9	6
PEM1520MG	Green	15 x 20 x 3/4	38.1 x 50.8 x 1.9	6
PEM1520MR	Red	15 x 20 x 3/4	38.1 x 50.8 x 1.9	6
PEM1520MY	Yellow	15 x 20 x 3/4	38.1 x 50.8 x 1.9	6
PEM1824MBL	Blue	18 x 24 x 3/4	45.7 x 61 x 1.9	3
PEM1824MTN	Tan	18 x 24 x 3/4	45.7 x 61 x 1.9	3
PEM1824MG	Green	18 x 24 x 3/4	45.7 x 61 x 1.9	3
PEM1824MR	Red	18 x 24 x 3/4	45.7 x 61 x 1.9	3
PEM1824MY	Yellow	18 x 24 x 3/4	45.7 x 61 x 1.9	3

ITEM	COLOR	IN	CM	PACK
PEL1218MBL	Blue	12 x 18 x 1	30.5 x 45.7 x 2.5	6
PEL1218MTN	Tan	12 x 18 x 1	30.5 x 45.7 x 2.5	6
PEL1218MG	Green	12 x 18 x 1	30.5 x 45.7 x 2.5	6
PEL1218MR	Red	12 x 18 x 1	30.5 x 45.7 x 2.5	6
PEL1218MY	Yellow	12 x 18 x 1	30.5 x 45.7 x 2.5	6
PEL1520MBL	Blue	15 x 20 x 1	38.1 x 50.8 x 2.5	3
PEL1520MTN	Tan	15 x 20 x 1	38.1 x 50.8 x 2.5	3
PEL1520MG	Green	15 x 20 x 1	38.1 x 50.8 x 2.5	3
PEL1520MR	Red	15 x 20 x 1	38.1 x 50.8 x 2.5	3
PEL1520MY	Yellow	15 x 20 x 1	38.1 x 50.8 x 2.5	3
PEL1824MBL	Blue	18 x 24 x 1	45.7 x 61 x 2.5	3
PEL1824MTN	Tan	18 x 24 x 1	45.7 x 61 x 2.5	3
PEL1824MG	Green	18 x 24 x 1	45.7 x 61 x 2.5	3
PEL1824MR	Red	18 x 24 x 1	45.7 x 61 x 2.5	3
PEL1824MY	Yellow	18 x 24 x 1	45.7 x 61 x 2.5	3



FRUIT BOARD

One-piece hardwood construction is smooth on both sides.

ITEM	IN	CM	PACK
691	6 x 9 x 1	15.2 x 22.9 x 2.5	12

SECTIONAL CUTTING BOARD

Both sides are finished, making them reversible. Kiln-dried maple boards are waterproof glued. Do not immerse in water for cleaning.



ITEM	IN	CM	PACK
11218	12 x 18 x 1 3/4	30.5 x 45.7 x 4.4	1
11520	15 x 20 x 1 3/4	38.1 x 50.8 x 4.4	1
11824	18 x 24 x 1 3/4	45.7 x 61 x 4.4	1
11830	18 x 30 x 1 3/4	45.7 x 76.2 x 4.4	1



HAM BOARD

Sanded hardwood with chamfered edges. 814S is slotted.

ITEM	IN	CM	PACK
814	13 1/2 x 7	34.3 x 17.8	12
814S	13 1/2 x 7	34.3 x 17.8	12



ROUND LEMON BOARD

Hardwood board with a groove to catch juice.

ITEM	IN	CM	PACK
350LB	7	17.8	12



SMALL CHEESE BOARD

Made of hardwood with both sides smooth and slotted to hold slicer.

ITEM	IN	CM	PACK
5814S	11 1/2 x 5 1/2	29.2 x 13.9	12

ColorCode System Knives

Each knife is designated to a specific food group providing the absolute best protection against cross-contamination. Use them with their matching ColorCode cutting boards, tongs and spatulas for a safe food prep environment.



COOK'S KNIFE

ColorCode handles correspond to their specific food group to avoid cross-contamination: use blue for cooked foods, green for fruits and vegetables, red for meat, tan for fish and seafood, white for dairy products, and yellow for poultry. Blades are made from rigid molybdenum stainless steel.



ITEM	BLADE LENGTH		ITEM	BLADE LENGTH		COLOR	PACK
	IN	CM		IN	CM		
PC12910BL	10	25.4	PC12912BL	12	30.5	Blue	6
PC12910GR	10	25.4	PC12912GR	12	30.5	Green	6
PC12910RD	10	25.4	PC12912RD	12	30.5	Red	6
PC12910TN	10	25.4	PC12912TN	12	30.5	Tan	6
PC12910WH	10	25.4	PC12912WH	12	30.5	White	6
PC12910YL	10	25.4	PC12912YL	12	30.5	Yellow	6

BONING KNIFE

ColorCode knives are also available with a 6" blade for boning.

ITEM	COLOR	BLADE LENGTH		PACK
		IN	CM	
PC1286RD	Red	6	15.2	6
PC1286TN	Tan	6	15.2	6
PC1286YL	Yellow	6	15.2	6



COLORCODE SPATULA

Now cross-contamination protection moves to the grill. Each of the four specialty spatulas are color-coded for their specific use.

P.O.P. Packaging

ColorCode knives are available individually packaged for P.O.P display.

Clam shell increases safety in handling, but also available in bulk pack. Specify item number for bulk pack or clam shell when ordering.



ITEM	DESCRIPTION	BLADE		O/A LENGTH		PACK
		IN	CM	IN	CM	
PC1290YL	Yellow Spatula	8 x 2 7/8	20.3 x 7.3	14 3/4	37.5	12
PC1280GR	Green Spatula	8 x 2 7/8	20.3 x 7.3	14 3/4	37.5	12
PC233HTRD	Red Turner	5 x 2 7/8	12.7 x 7.3	11 1/2	29.2	12
PC219PRD	Red Spatula	7 3/8 x 2 7/8	18.7 x 7.3	14 3/4	37.5	12

www.kitchenwarehousevi.com

Brown ABS Handle Knives

Strong molybdenum stainless steel blades and well-balanced ABS handles are made to provide many years of heavy commercial service.



COOK'S KNIFE

ITEM	BLADE LENGTH		PACK
	IN	CM	
PC1298	8	20.3	6
PC12910	10	25.4	6
PC12912	12	30.5	6



PC15312

SCIMITAR KNIFE

ITEM	BLADE LENGTH		PACK
	IN	CM	
PC15310	10	25.4	6
PC15312	12	30.5	6



PC15612

BUTCHER KNIFE

ITEM	BLADE LENGTH		PACK
	IN	CM	
PC15610	10	25.4	6
PC15612	12	30.5	6



PC15412

SLICER

ITEM	BLADE LENGTH		PACK
	IN	CM	
PC15410	10	25.4	6
PC15412	12	30.5	6
PC15414	14	35.6	6



PC15512

BREAD SLICER

ITEM	BLADE LENGTH		PACK
	IN	CM	
PC15510	10	25.4	6
PC15512	12	30.5	6



PC12625

PARING KNIFE

ITEM	BLADE LENGTH		PACK
	IN	CM	
PC12625	3	7.6	6



PC1276C



PC1286



PC1286N

BONING KNIVES

ITEM	DESCRIPTION	BLADE LENGTH		PACK
		IN	CM	
PC1276C	Curved	6	15.2	6
PC1286	Stiff	6	15.2	6
PC1286N	Flexible/Narrow	6	15.2	6



BUTCHER STEELS

Tempered steel with a magnetized, fine cut that retains knife particles.

ITEM	BLADE LENGTH		PACK
	IN	CM	
PC12010	10	25.4	6
PC12012	12	30.5	6
PC12014	14	35.6	6



UTILITY SPATULA

All-purpose spatula with wooden handle.

ITEM	BLADE		O/A LENGTH		PACK
	IN	CM	IN	CM	
AL24S	2 1/2 x 2 1/4	6.4 x 5.7	7 1/2	19.1	12



ICING SPATULAS

Stainless steel blade with hardwood handle.

ITEM	BLADE		O/A LENGTH		PACK
	IN	CM	IN	CM	
15056	6 1/2 x 1	16.5 x 2.5	11 1/4	28.6	12
15058	8 x 1	20.3 x 2.5	13 1/4	33.7	12
150510	10 x 1 1/2	25.4 x 3.8	14 1/2	36.8	12
150512	12 x 1 3/4	30.5 x 4.4	17 1/4	43.8	12



STAINLESS STEEL TURNER

All 18/8 stainless steel with a satin finish.

ITEM	DESCRIPTION	BLADE		O/A LENGTH		PACK
		IN	CM	IN	CM	
1436	Solid	6	15.2	14	35.6	12
1437	Perforated	6	15.2	14	35.6	12



SPECIALTY TURNER

Stainless steel blades with hardwood handles.

ITEM	DESCRIPTION	BLADE		O/A LENGTH		PACK
		IN	CM	IN	CM	
44	Long Handle	8 x 3	20.3 x 7.6	20	50.8	12



TURNERS

Stainless steel blades with hardwood handles. Now available in a variety of "EH" models with an extra thick blade.

ITEM	DESCRIPTION	BLADE		O/A LENGTH		PACK
		IN	CM	IN	CM	
219P	Perforated	8 x 3	20.3 x 7.6	14 1/2	36.8	12
219PEH	Perforated	8 x 3	20.3 x 7.6	14 1/2	36.8	12
AL1280	Stiff	8 x 3	20.3 x 7.6	14 1/2	36.8	12
AL1280EH	Stiff	8 x 3	20.3 x 7.6	14 1/2	36.8	12
AL1290	Flexible	8 x 3	20.3 x 7.6	14 1/2	36.8	12
AL1290EH	Flexible	8 x 3	20.3 x 7.6	14 1/2	36.8	12



SQUARE TURNER

Stainless steel blades with hardwood handles. 233HTEH now available with an extra thick blade.

ITEM	BLADE		O/A LENGTH		PACK
	IN	CM	IN	CM	
SQ1280	7 3/8 x 3	18.7 x 7.6	13 1/2	34.3	12
233HT	5 x 2 3/4	12.7 x 7	11 1/4	28.6	12
233HTEH	5 x 2 3/4	12.7 x 7	11 1/4	28.6	12



TURNER

"Super-grade," extra-weight turner with a mirror polish. 56EH now available with an even heavier thick blade.

ITEM	BLADE		O/A LENGTH		PACK
	IN	CM	IN	CM	
56	5 x 6	12.7 x 15.2	13	33	12
56EH	5 x 6	12.7 x 15.2	13	33	12

OFFSET SPATULA

Hardwood handle with flexible stainless steel blade.

ITEM	BLADE		O/A LENGTH		
	IN	CM	IN	CM	PACK
AL26S	4 1/2 x 2 1/4	11.4 x 5.7	10	25.4	12



GRILL SCRAPER

3" (7.6 cm) wide carbon steel blade with a wooden handle. 2013EH now available with an extra thick blade.

ITEM	O/A LENGTH		
	IN	CM	PACK
2013	9 1/8	23.2	12
2013EH	9 1/8	23.2	12



SANDWICH SPREADER

Deluxe wooden handle spreader with a heavy gauge stainless steel serrated blade.

ITEM	O/A LENGTH		
	IN	CM	PACK
AL288S	7 3/8	18.7	12



PIE SERVER

Flexible, offset stainless steel blade.

ITEM	BLADE		O/A LENGTH		
	IN	CM	IN	CM	PACK
AL25S	5 1/2	14	10	25.4	12



STAINLESS STEEL TURNER - PLASTIC HANDLE

All stainless steel blades with brown, ABS plastic handles.

ITEM	DESCRIPTION	BLADE		O/A LENGTH		
		IN	CM	IN	CM	PACK
PC1280	Stiff Turner	8 x 2 3/4	20.3 x 7	14 3/4	37.5	12
PC219P	Perf. Turner	8 x 2 3/4	20.3 x 7	15	38.1	12
PC233HT	Stiff Turner	4 3/4 x 2 3/4	12 x 7	11 1/2	29.2	12



ICING SPATULAS

Molybdenum stainless blade with a brown, ABS plastic handle.

ITEM	BLADE		O/A LENGTH		
	IN	CM	IN	CM	PACK
PC10SP6	6	15.2	11	27.9	12
PC10SP8	8	20.3	13	33	12
PC10SP10	10	25.4	15 1/4	38.7	12
PC10SP12	12	30.5	17 1/4	43.8	12
PC10SP14	14	35.5	19 1/4	48.9	12

STAINLESS STEEL BLADES - PLASTIC HANDLE

All stainless steel blades with brown, ABS plastic handles.

ITEM	DESCRIPTION	BLADE		O/A LENGTH		
		IN	CM	IN	CM	PACK
PC2013	Stiff Scraper	4 1/2 x 3	11.4 x 7.6	10	25.4	12
PC25S	Pie Server	6	15.2	11	27.9	12
PC288S	Serrd. Spreader	4 3/8	11.1	9 1/2	24.1	12



*Blade dimension on angled turners is for the flat part only.



COOK'S FORK

Stainless steel with a forged, hardwood handle.

ITEM	O/A LENGTH		PACK
	IN	CM	
4441	12	30.5	6
5551	14	35.6	6



POT FORK

Stainless steel with a rosewood handle.

ITEM	O/A LENGTH		
	IN	CM	PACK
222S	12	30.5	12



CAMP FORK

Stainless steel with a beechwood handle.

ITEM	O/A LENGTH		
	IN	CM	PACK
AL2380	21	53.3	12



PC1216



PC1217



PC1218



PC1219



PC12110

CLEAVERS

Molybdenum stainless blades with brown, ABS plastic handles.

ITEM	BLADE LENGTH		
	IN	CM	PACK
PC1216	6	15.2	6
PC1217	7	17.8	6
PC1218	8	20.3	6
PC1219	9	22.9	6
PC12110	10	25.4	6



BUTCHER SAW

Professional European quality saw cuts meats into individual portions. Blades also sold separately.

ITEM	DESCRIPTION	BLADE LENGTH		
		IN	CM	PACK
9918BS	Unit	18	45.7	1
9920BS	Unit	20	50.8	1
9922BS	Unit	22	55.9	1
9924BS	Unit	24	60.9	1
9918BSB	Blade	18	45.7	12
9920BSB	Blade	20	50.8	12
9922BSB	Blade	22	55.9	12
9924BSB	Blade	24	60.9	12



STEAK KNIFE

Stainless steel blade with full wave cut.

ITEM	DESCRIPTION	BLADE LENGTH		
		IN	CM	PACK
SK17	Hardwood Handle	4 1/8	10.5	24



STEAK KNIFE

Stainless steel blade with full wave cut.

ITEM	DESCRIPTION	BLADE LENGTH		
		IN	CM	PACK
841HG	Full Tang Blade	4	10.2	12



STEAK KNIFE

Hollow ground blade with a waverly edge.
Rosewood polywood handle.

ITEM	DESCRIPTION	BLADE LENGTH		
		IN	CM	PACK
283104	Rounded Tip	4 1/8	10.5	24



FRUIT KNIFE

Stainless steel blade with a milled edge and a hardwood handle.

ITEM	BLADE LENGTH		
	IN	CM	PACK
305	4	10.2	12



PARING KNIFE

Wooden handle with stainless steel blade.

ITEM	BLADE LENGTH		
	IN	CM	PACK
424PK	3	7.6	12



741HG



742HG



SK16



SK15

HOLLOW GROUND STEAK KNIVES

Stainless steel blades with a full wave cut.

ITEM	DESCRIPTION	BLADE LENGTH		
		IN	CM	PACK
741HG	Pakka Wood Handle	3 1/2	8.9	24
742HG	Hardwood Handle	3 1/2	8.9	24
SK16	Hardwood Handle	4 3/4	12.1	24
SK15	ABS Plastic Handle	5	12.7	12



STEAK KNIFE

Hollow ground blade with a waverly edge.

ITEM	DESCRIPTION	BLADE LENGTH		
		IN	CM	PACK
220304	Hardwood Handle	4 1/8	10.5	24



JUMBO STEAK KNIFE

Stainless steel blade with hardwood handle.

ITEM	DESCRIPTION	BLADE LENGTH		
		IN	CM	PACK
220605	Rounded Tip	5	12.7	12



OYSTER KNIFE

5005 is New Haven style with a hardwood handle.
5000 is professional style with a hardwood handle.
Used for opening oyster shells and removing the meat.

ITEM	BLADE LENGTH		
	IN	CM	PACK
5005	4	10.2	12
5000	3	7.6	12



CLAM KNIFE

Heavy steel blade with a hardwood handle. Used for opening clam shells.

ITEM	BLADE LENGTH		
	IN	CM	PACK
5020	3 1/2	8.9	12



OYSTER KNIFE

Plastic handle knife is for opening oyster shells.

ITEM	DESCRIPTION	BLADE LENGTH		
		IN	CM	PACK
5030PH	w/ Blue Handle	3	7.6	12

COMBINATION STONE

Made from aluminum oxide, this is unlike any artificial stone in speed of cutting, long life, and smoothness of resulting edge on tool.

ITEM	IN	CM	PACK
5621	6 x 2 x 1	15.2 x 5.1 x 2.5	1
5821	8 x 2 x 1	20.3 x 5.1 x 2.5	1



SHARPENING STONE

Finest quality silicon carbide stones for general sharpening of edges on hand tools and cutlery.

ITEM	IN	CM	PACK
821CH	8 x 2 x 1	20.3 x 5.1 x 2.5	1



SHARPENING STONE OIL

Free flowing with plenty of body to float the particles of steel removed from the edge in honing, thus preventing glazing.

ITEM	CAN SIZE	PACK
XB1	4 1/2 fl oz (.13 L)	1
XB5	1 pint (.47 L)	1
XB2	1 quart (.95 L)	1



ALEGACY KNIFE SHARPENER

This precision instrument is faster and surer than an oilstone. The guide adjusts knife blade to abrasive wheel at the proper angle while the synchronized action of blade and wheel eliminates wavy and jagged edges. Replacement stones and parts are available.

ITEM	DESCRIPTION	IN	CM	PACK
800KS	Unit	5 x 3 x 4 3/4	12.7 x 7.6 x 12.1	1
800HR	Head/800KS			1
800RS	Stone/800KS			1

MAGNA WONDER SLICER

The stainless steel serrated blade never needs sharpening, and the thickness guide regulates each slice from 1/16" to 1/2" (.2 to 1.3 cm) with just a turn of the knob. Easily disassembles, machine washable, slices, carves or shreds, and available in left or right handed models.

ITEM	DESCRIPTION	BLADE LENGTH		
		IN	CM	PACK
MWS91L	Left Hand	8 1/4	21	1
MWS91R	Right Hand	8 1/4	21	1



SHARPENING STONE

This extra large stone has a coarse side for fast sharpening and a fine side for a finished edge.

ITEM	DESCRIPTION	STONE DIMENSIONS		
		IN	CM	PACK
1121	Refill Stone	11 1/2 x 2 1/2 x 1	29.2 x 6.4 x 2.5	1

SHARPENING STONE WITH HANDLE

Silicon carbide abrasive, coarse and fine, vitrified. The coarse side brings a dull trimming knife to an edge quickly, while the fine side produces a perfect edge for cutting leather or rubber.

ITEM	LENGTH		
	IN	CM	PACK
1475H	15	38.1	1



TRIPLE STONE (SHARPENING STONE)

Furnished in a durable plastic case with three stones-coarse, medium, and fine. Ideal for all straight edge tools and its full size permits a full sweeping stroke. Stones are reversible and immersed in oil when not in use.

ITEM	IN	CM	PACK
963	19 1/2 x 5 1/2 x 4 1/2	49.5 x 14 x 11.4	1

TRIPLE OILSTONE REPLACEMENT

ITEM	DESCRIPTION	IN	CM	PACK
1122F	Fine	11 1/2 x 2 1/2 x 1/2	29.2 x 6.4 x 1.3	1
1123M	Medium	11 1/2 x 2 1/2 x 1/2	29.2 x 6.4 x 1.3	1
1124C	Coarse	11 1/2 x 2 1/2 x 1/2	29.2 x 6.4 x 1.3	1



PATTY MOLD MACHINE

Parts List for HM45 & HM69

ITEM	DESCRIPTION
M1	Mold Plate 6 to 9 Patties per lb (HM69)
M2	Mold Plate 4 to 5 Patties per lb (HM45)
M4	Handle
M5	Base
M6	Cloth Liner Bar
M7	Spring
M8	Mold Screw
M9	Hinge Pin
M10PHP	Paper Molding Pins
M11	Stripper Bar w/ Nut and Washer
M12	Set Screw
M13	Block
M14	Cloth Liners



MAGNETIC KNIFE RACK

A quality import alternative that instantly grips and releases knives and utensils. Permanent magnetism, no moving parts.

ITEM	IN	CM	PACK
MTH12	12	30.5	12
MTH18	18	45.7	12
MTH24	24	60.9	12



KNIFE RACK

Stainless steel construction holds up to ten knives, two butcher steels, and two cleavers. Can be mounted to a wall, counter or table.

ITEM	IN	CM	PACK
AKP321	12 x 12 7/8 x 2 1/2	30.5 x 32.7 x 6.35	1



PATTY MOLDING MACHINE

Forms and ejects wax-sheeted patty in one operation. The body is polished, die-cast aluminum. Holds up to 100 sheets and the mold and knockout discs are interchangeable.

ITEM	DESCRIPTION	IN	CM	PACK
HM45	4-5 Patties/lb	12 1/4 x 7 3/4 x 5 1/2	31.1 x 19.7 x 14	1
HM69	6-9 Patties/lb	12 1/4 x 7 3/4 x 5 1/2	31.1 x 19.7 x 14	1

ALEGACY PATTY PAPER

Punched with two spindle holes to fit all mold sizes with a sheet size of 5 3/16 x 5 3/16" (13.2 cm x 13.2 cm). Divides hamburger patties.



ITEM	PACK
A5HP	12,000/cs (Sold in Case Pack Only)



HAMBURGER PRESS

Makes uniform hamburger patties every time. Die-cast, polished finish of non-rusting aluminum alloy. 4450HP is an adjustable unit.

ITEM	PATTY SIZE		DIAMETER		PACK
	IN	CM	IN	CM	
3450HP	4 5/8	11.7	5	12.7	1
4450HP	4 5/8	11.7	4 3/4	12.1	1



UTILITY PAIL

For a variety of kitchen prep and cleanup activities, this 18/8 stainless steel pail is ideal.

ITEM	TOP DIAMETER		HEIGHT		PACK
	IN	CM	IN	CM	
UP1	12 1/2	31.7	10 1/4	26	1



WOODEN MIXING PADDLE

Paddles are sanded, smooth, seasoned hardwood. For mixing pizza and bread dough.

ITEM	O/A LENGTH		BLADE		PACK
	IN	CM	IN	CM	
9918MP	18	45.7	3 x 6	7.6 x 15.2	12
9920MP	20	50.8	3 x 6	7.6 x 15.2	12
9924MP	24	60.9	3 1/4 x 6	8.2 x 15.2	12
9930	30	76.2	3 1/4 x 6	8.2 x 15.2	12
9936	36	91.4	3 1/4 x 6	8.2 x 15.2	12
9942	42	106.7	3 1/4 x 6	8.2 x 15.2	12
9948	48	121.9	3 1/4 x 6	8.2 x 15.2	12
9954	54	137.2	3 1/4 x 6	8.2 x 15.2	12
9960	60	152.4	3 1/4 x 6	8.2 x 15.2	12



STAINLESS STEEL MIXING PADDLE

Virtually indestructible, polished, 18/8 stainless steel. For mixing dough or use in larger size stock pots.

ITEM	O/A LENGTH		BLADE		PACK
	IN	CM	IN	CM	
19924	24	60.9	4 1/2 x 8	11.4 x 20.3	1
19930	30	76.2	4 1/2 x 8	11.4 x 20.3	1
19936	36	91.4	4 1/2 x 8	11.4 x 20.3	1
19942	42	106.7	4 1/2 x 8	11.4 x 20.3	1
19948	48	121.9	4 1/2 x 8	11.4 x 20.3	1
19954	54	137.2	4 1/2 x 8	11.4 x 20.3	1
19960	60	152.4	4 1/2 x 8	11.4 x 20.3	1



ROUND EGG MOLD

Well-balanced handle will not transfer heat while frying eggs on a griddle. Chrome-plated, half-round wire construction.

ITEM	DIAMETER		HEIGHT		PACK
	IN	CM	IN	CM	
3804	3 7/8	9.8	3/8	1	12



EGG RINGS

Stainless steel rings used for basting. Handles are made to minimize heat transfer and feature an eye for hanging.

ITEM	DESCRIPTION	DIAMETER		DEPTH		PACK
		IN	CM	IN	CM	
3805	Round Ring	6	15.2	1	2.5	12
3825	Round Ring	5 1/8	13.1	1	2.5	12
3806	Square Ring	4 x 4	10.2 x 10.2	1	2.5	12



POULTRY SHEAR

Forged steel with plated blades and painted grips.

ITEM	LENGTH		PACK
	IN	CM	
1214	8 1/2	21.6	12



FISH & POULTRY SHEAR

Polished, forged steel, spring operated with a built-in bone crusher.

ITEM	LENGTH		PACK
	IN	CM	
1213	9 1/2	24.1	12



SHRIMP MASTER

Sturdy styrene plastic with stainless steel tips. The positive spring action removes shells and de-veins shrimp.

ITEM	LENGTH		PACK
	IN	CM	
6100	8 1/2	21.6	12

STEEL POULTRY SHEARS

Made of forged steel, the poultry shear is spring operated and has a built-in bone crusher. Can also be used for fish.

ITEM	DESCRIPTION	LENGTH		PACK
		IN	CM	
1219	Chromed Steel	9 1/2	24.1	12
1220	Stainless Steel	10 1/2	26.1	12



FORGED STEEL POULTRY SHEAR

Plated blades and painted grips.

ITEM	LENGTH		PACK
	IN	CM	
1217	7 1/2	19.1	12



CAST IRON SKILLETS

Strong handle and molded rim allow for easy pouring.
Low wall keeps temperatures even.

ITEM	DIAMETER		DEPTH		PACK
	IN	CM	IN	CM	
SK3	6 1/2	16.5	1 1/4	3.2	6
SK5	8	20.3	1 3/4	4.4	6
SK6	8 3/4	22.2	1 3/4	4.4	6
SK8	10 1/2	26.7	2	5.1	6
SK10	12 1/4	31.1	2	5.1	6
SK12	13 1/4	33.7	2 1/4	5.7	3
SK14	15 1/4	38.7	2 1/4	5.7	3



DO8



DO10

CAST IRON DUTCH OVEN

Bakes vegetables and roasts perfectly. Two sizes available for small or large roasts.

ITEM	CAPACITY		DIAMETER		DEPTH		PACK
	QT	L	IN	CM	IN	CM	
DO8	5	4.7	10 1/4	26	4	10.2	1
DO10	7	6.6	12	30.5	4 3/4	12.1	1



CF8

CAST IRON CHICKEN FRYER

Chicken is perfectly browned with great flavor when cooked in a traditional cast iron fry pan.

ITEM	CAPACITY		DIAMETER		DEPTH		PACK
	QT	L	IN	CM	IN	CM	
CF8	3	2.3	10 1/4	26	3	7.6	1



CLAM STEAMER

Complete with cover, upper and lower pot, and faucet. Blue enameled steel, inside and out. Capable of steaming four dozen small clams or four 1 lb (.5 kg) lobsters.

ITEM	DIAMETER		O/A HEIGHT		TOP HEIGHT		BOTTOM HEIGHT		PACK
	IN	CM	IN	CM	IN	CM	IN	CM	
27	12	30.5	17	43.2	9 ³ / ₄	24.8	6	15.2	1

CAST IRON ROUND GRIDDLE

Great for pancakes, frying bacon or eggs. Also excellent for preparing and serving fajitas.

ITEM	DIAMETER		DEPTH		PACK
	IN	CM	IN	CM	
RG9	10 1/4	26	1/4	.6	6



CAST IRON CORN STICK PAN

Bakes corn-cob shaped cornbread that does not stick to special surface of pans.

ITEM	STICKS	IN	CM	PACK
CP527	5	9 1/8 x 5 1/2	23.2 x 14	6
CP27	7	12 3/8 x 5 1/2	31.4 x 14	6

Alegacy Thermometers

Each is designed for specific applications with an eye for accuracy and dependability. Standard features include: 304 stainless steel frames or parts, accuracy of plus or minus 1° to 2°F, dual scale, and Fahrenheit and Celsius dials. Many are NSF listed, as indicated by the presence of the NSF logo.



P.O.P. Packaging

Clam shell packaging enhances presentation and sale of many thermometer products.

DIAL MEAT THERMOMETER

Thermometer has pointed stem with an accuracy +/- 1°. Dishwasher safe.

ITEM	LENGTH		DIAL DIAMETER		RANGE		PACK
	IN	CM	IN	CM	°F	°C	
MT84001	5	12.7	2 3/8	7	120 - 220	60 - 85	12

POCKET TEST THERMOMETER

304 stainless steel case, bezel and pointed stem. Accuracy of +/- 1°. Includes storage case with pocket clip. Individually boxed. Not for oven use.

ITEM	LENGTH		DIAL DIAMETER		RANGE	PACK
	IN	CM	IN	CM	°C	
PT84113	5	12.7	1	2.5	-10 - 110	1



POCKET TEST THERMOMETERS

304 stainless steel case, bezel and pointed stem. Available in a variety of temperature ranges. Accuracy of +/- 1°. Includes storage case with pocket clip. Individually boxed. NSF listed. Not for oven use.



ITEM	LENGTH		DIAL DIAMETER		RANGE	PACK
	IN	CM	IN	CM	°F	
PT84104	5	12.7	1	2.5	50 - 550	1
PT84107	5	12.7	1	2.5	25 - 125	1
PT84101	5	12.7	1	2.5	0 - 220	1
PT84110	5	12.7	1	2.5	-40 - 160	1

www.kitchenwarehousevi.com



OVEN THERMOMETER

Hangs with top clip, or stands with an extra wide base.
 Made of 304 stainless steel, with an accuracy of +/- 1°. NSF listed.

ITEM	HEIGHT		DIAL DIAMETER		RANGE		PACK
	IN	CM	IN	CM	°F	°C	
OT84010	3 3/4	9.5	2 3/8	6	150 – 550	70 – 280	12



OVEN THERMOMETER

Dual scale (°F or °C), thermometer hangs or stands.
 Made of 304 stainless steel, with an accuracy of +/- 1°.



ITEM	HEIGHT		DIAL DIAMETER		RANGE		PACK
	IN	CM	IN	CM	°F	°C	
OT84013	3	7.6	2 3/8	6	200 – 500	100 – 250	12

SURFACE TEMPERATURE THERMOMETER

Dual scale thermometer reads surface temperatures with white pointer and scale, and has heat-resistant glass.

ITEM	DIAMETER		RANGE		PACK
	IN	CM	°F	°C	
GT84007	2	5.1	100 – 400	40 – 200	12





RT84019



RT84016

REFRIGERATOR & FREEZER THERMOMETER

Made of 304 stainless steel, thermometer hangs or stands and has a dual scale (°F and °C) with an accuracy of +/- 2°F.

ITEM	HEIGHT		DIAL DIAMETER		RANGE		PACK
	IN	CM	IN	CM	°F	°C	
RT84016	3 3/4	9.5	2 3/8	6	-20 - 80	-30 - 30	12
RT84019	2 3/4	7	2 3/8	6	-30 - 70	-35 - 20	12



CT84031

CANDY/JELLY/DEEP FRY THERMOMETER

Glass thermometer of 304 stainless steel with a heat-resistant handle and an adjustable container clip. Dual scale (°F and °C) with an accuracy of +/- 1°.

ITEM	LENGTH		DIAL DIAMETER		RANGE		PACK
	IN	CM	IN	CM	°F	°C	
CT84031	12	30.5	1 7/8	4.7	100 - 400	40 - 200	12
CT84004	6 1/4	15.8	2 1/4	5.7	100 - 400	40 - 200	12



CT84004



REFRIGERATOR/FREEZER THERMOMETER

Rustproof, made of 304 stainless steel, and with a dual scale, thermometer hangs or stands. It is NSF listed.

ITEM	WIDTH		HEIGHT		RANGE		PACK
	IN	CM	IN	CM	°F	°C	
FT84028	4 7/8	12.4	1 1/4	3.2	-40 - 80	-40 - 27	12

CANDY/FRY THERMOMETER

Includes adjustable pan clip and quick reference guide on thermometer face.



CT84122

CT84119

ITEM	LENGTH		DIAL DIAMETER		RANGE		PACK
	IN	CM	IN	CM	°F	°C	
CT84119	8	20.3	2 1/8	5.4	50 - 550		12
CT84122	12	30.5	2 1/8	5.4	50 - 550		12



FREEZE GUIDE THERMOMETER

Ideal for refrigerators and freezers, rustproof. Can hang or stand. Permacolor filling. Blister carded.



ITEM	WIDTH		HEIGHT		RANGE		PACK
	IN	CM	IN	CM	°F	°C	
5925	4 7/8	12.4	1 1/4	3.2	-40 - 80	-40 - 25	6



DIAL REFRIGERATOR/FREEZER THERMOMETER

Stainless steel case. Can hang or stand. Cold zones are color-coded. Blister carded.

ITEM	HEIGHT		DIAL DIAMETER		RANGE		PACK
	IN	CM	IN	CM	°F	°C	
5923	2 5/8	6.6	2 3/8	6	-20 - 70	-30 - 20	6



REFRIGERATOR/FREEZER THERMOMETER

Clear tube design for monitoring temperatures inside the refrigerator or freezer. Includes hooks for hanging or can lie on rack. Blister carded.

ITEM	WIDTH		HEIGHT		RANGE	PACK
	IN	CM	IN	CM		
5977	4 7/8	12.4	5/8	1.6	-10 - 70	12

DIAL MAXI THERMOMETER

Plastic case thermometer for multiple uses. Double face adhesive tape provides easy placement in freezers, room locations, etc. Has 5° divisions and is blister carded.



ITEM	DIAMETER		RANGE		PACK
	IN	CM	°F	°C	
5380	1 3/4	4.4	-40 - 120		12

60721



60791



DIAL BI-THERM® THERMOMETER

High-visibility thermometers are used for rapid-response temperature probes in cooking, roasting or frozen food preparation. Stainless steel stem and plastic dial fit into a pocket case. Available in Fahrenheit (-40 to 550°) or Celsius (-40 to 110°). NOT for oven use. Individually boxed.

ITEM	LENGTH		DIAL DIAMETER		RANGE	DIVISIONS	PACK
	IN	CM	IN	CM			
60711	5	12.7	1	2.5	-40 - 120°F	2°	1
60721	5	12.7	1	2.5	0 - 220°F	2°	1
60731	5	12.7	1	2.5	50 - 550°F	5°	1
60741	5	12.7	1	2.5	-40 - 50°C	2°	1
60751	5	12.7	1	2.5	25 - 125°F	1°	1
60761	5	12.7	1	2.5	-40 - 160°F	2°	1
60791	5	12.7	1	2.5	-10 - 110°C	2°	1
60911	5	12.7	1	2.5	-40 - 120°F	2°	1
60921	5	12.7	1	2.5	0 - 220°F	2°	1
60931	5	12.7	1	2.5	50 - 550°F	5°	1

www.kitchenwarehousevi.com

Portion Control Scales

Accuracy, durability, and versatility carry equal weight with all Alegacy portion control scales. A consistent, dependable reading will ensure the most efficient preparation. Scales range from an 1/8 ounce sensitivity all the way up to a 200 pound capacity, to provide the solutions your food preparation requires.



PORTION CONTROL SCALES

All models have a 6" (15.2 cm) dial face with a shatterproof lens, adjusting knob, and temperature compensated mechanisms. Choose a body finish of stainless steel or enamel. Base dimension is 7 1/4 x 5 1/4 x 7 1/2" (18.4 x 13.3 x 19 cm), platforms measure 5 3/4 x 5 3/4 (14.6 x 14.6 cm) or 5 3/4 x 7 7/8" (14.6 x 20 cm) for 25 lb (55.1 kg) models.



ITEM	CAPACITY		INCREMENT		BODY FINISH	DIAL TYPE	PACK
	LB	KG	OZ	G			
74858	5	2.3	1/2	14.2	S/S	Rotating	1
74861	25	11.3	2	56.7	S/S	Rotating	1
74864	*	500 g	-	2	S/S	Rotating	1
74867	2	.9	1/4	7.1	Enamel	Fixed	1
74870	5	2.3	1/2	4.2	Enamel	Fixed	1
74873	25	11.3	2	56.7	Enamel	Fixed	1

*Dial face reads in grams only

PORTION CONTROL SCALES

Alegacy offers quality portion control with the an 8" (20.3 cm) zero adjusting dial. Base dimension is 10 1/2 x 10 1/2 x 7 1/8" (26.7 x 26.7 x 18.1 cm).

ITEM	CAPACITY		INCREMENT		BODY FINISH	DIAL TYPE	PACK
	LB	KG	OZ	G			
74879	5	2.2	1/2	10	Enamel	Fixed	1
74882	11	5	1	25	Enamel	Fixed	1
74885	20	9	1	25	Enamel	Fixed	1



PORTION CONTROL SCALES

All models have a 6" (15.2 cm) dial face with a shatterproof lens, adjusting knob, and temperature compensated mechanisms. Choose a body finish of stainless steel or enamel. Base dimension is 7 1/4 x 5 1/4 x 7 1/4" (18.4 x 13.3 x 18.4 cm), platforms measure 5 3/4 x 5 3/4" (14.6 x 14.6 cm) or 5 3/4 x 7 7/8" (14.6 x 20 cm) for 25 lb (55.1 kg) models.

ITEM	CAPACITY		INCREMENT		BODY FINISH	DIAL TYPE	PACK
	LB	KG	OZ	G			
74840	1	.5	1/4	7.08	Enamel	Fixed	1
74843	2	.9	1/4	7.08	Enamel	Rotating	1
74846	5	2.3	1/2	14.17	Enamel	Rotating	1
74849	25	11.3	2	56.7	Enamel	Rotating	1
74852	*	500 g	-	2	Enamel	Rotating	1
74855	2	.9	1/4	7.08	S/S	Rotating	1

*Dial face reads in grams only

www.kitchenwarehousevi.com

HEAVY-DUTY PORTION SCALES

Heavy-duty portion scales have an enamel finish, stainless steel platforms, an 8" (20.3 cm) dial face, shatterproof lens, and temperature compensated mechanisms. Platform is 9 x 9" (22.9 cm) with a base measuring 10 1/2 x 7 x 10 1/2" (26.7 x 17.8 x 26.7 cm).

ITEM	CAPACITY			INCREMENT		DIAL TYPE	PACK
	LB	KG	OZ	G			
53700*	2	4.4	1/8	3.5	Fixed	1	
53701*	2	4.4	1/8	3.5	Rotating	1	
53702	2	4.4	1/8	3.5	Fixed	1	
53703	5	11	1/2	14.1	Fixed	1	
53704	10	22	1	28.3	Fixed	1	
53705	20	44	1	28.3	Fixed	1	
53706	40	88.2	2	56.7	Fixed	1	

*with Air Dash Pot



53702



53708

HEAVY-DUTY PORTION/RECEIVING SCALE

Bigger loads require a larger surface area and wider base for balancing. The 60 or 100 lb capacity, heavy-duty portion scales have an enamel finish, a larger 10 1/2" (26.7 cm) dial face, shatterproof lens, and temperature compensated mechanism. Platform is 13 x 13" (33 x 33 cm) with a base measuring 14 3/4 x 10 x 14 1/4" (37.5 x 25.4 x 36.2 cm).

ITEM	CAPACITY			INCREMENT		BODY FINISH	DIAL TYPE	PACK
	LB	KG	OZ	G				
53707	60	27.2	4	113.4	Enamel	Fixed	1	
53708	100	45.3	4	113.4	Enamel	Fixed	1	

HEAVY-DUTY PORTION/RECEIVING SCALE

Our largest capacity Alegacy scale. The extra large stainless steel platform and enamel finish base easily supports the 200 lb maximum. Features also include a large 10 1/2" (26.7 cm) dial face, shatterproof lens, and temperature control mechanisms. Platform is 15 1/2 x 15 1/2" (39.4 x 39.4 cm) with a base measuring 14 3/4 x 10 x 14 5/16" (37.5 x 25.4 x 36.4 cm).

ITEM	CAPACITY			INCREMENT		DIAL TYPE	PACK
	LB	KG	OZ	G			
53709	200	91	8	226.8	Fixed	1	



SCALE

Stainless steel platform with rustless finish. This model has 6 x 4 3/4" (16.5 x 12.1 cm) platform on a 6 1/2 x 6 1/2" (16.5 x 16.5 cm) base.

ITEM	CAPACITY			INCREMENT		PACK
	LB	KG	OZ	G		
A10R	25	10	2	50	1	



SCALES

Sturdy, rust-proof anodized aluminum chassis houses precision tempered springs. They have protected compensating dials, adjusting knobs, shatterproof lenses, large numerals, bright ball pointers, and are color-coded for identification. A stable, tapered base supports the non-tilt stainless steel platform. All models have a 6 x 4 3/4" (15.2 x 12.1 cm) platform on a 6 1/2 x 6 1/2" (16.5 x 16.5 cm) base. Only YG500R and YG1000R available in metric.

ITEM	CAPACITY		INCREMENT		PACK
	LB	KG	OZ	G	
Y32R	32 oz	-	1/4	7.1	1
YG400R	25	11.3	1	8.3	1
YG450R	50	22.7	4	113.4	1
YG180R	5	2.3	1/2	14.1	1
YG425R	25	11.3	2	56.7	1
YG800R	50	22.7	2	56.7	1
Y200R	2	1	1/4	7.1	1
YG500R	-	500 g		2	1
YG1000R	-	1000 g		5	1



ICE CREAM OVERRUN SCALE

Scale reads for pints, quarts, and half gallons. Has white plastic chassis 4 1/2 x 4 x 5 1/2" (11.4 x 10.2 x 14 cm), a brushed steel platform, and a 16 oz (473.1 ml) measuring cup is included.

ITEM	CAPACITY		INCREMENT		PACK
	OZ	G	OZ	G	
K32	2	1	1/4	7.1	1

www.kitchenwarehousevi.com



PLATFORM SCALE

White plastic chassis supports brushed stainless steel platform. Base measures 4 1/2 x 4 x 5 1/2" (11.4 x 10.2 x 14 cm).

ITEM	CAPACITY		INCREMENT		PACK
	OZ	G	OZ	G	
K16SS	16	452.8	1/4	7.1	1



TACOS/FRIES PORTION CONTROL SCALE

Stainless steel contoured platform keeps bags and tacos upright preventing spillage. Scale has a white plastic chassis and large orange numerals on a white dial. 4 1/2 x 4 x 5 1/2" (11.4 x 10.2 x 14 cm).

ITEM	CAPACITY		INCREMENT		PACK
	OZ	G	OZ	G	
KF16SS	16	28.3	1/4	7.1	1



BAKER'S DOUGH SCALE

Comes with a one-piece stainless steel scoop 12 1/2 x 18 1/2 x 4 7/8" (31.8 x 47 x 12.4 cm). The body is 14 x 5 1/2 x 7" (35.6 x 14 x 17.8 cm) of cold rolled steel with a white enamel finish. Stainless steel sliding pose, 1/4 oz increments.

ITEM	WEIGHTS	CAPACITY		PACK
		LB	KG	
53600	1 ea, 1, 2, 4 lb	8	17.6	1
53601	1 ea, 1, 2 lb 3 ea, 4 lb	16	35.3	1
CBDS1	Counter Weight			1
SBDS20	S/S Scoop Only			1



WEIGHTS

Counter weights or measuring weights for balance type scales. (53600 & 53601)

ITEM	CAPACITY		PACK
	LB	KG	
1W	1	.5	1
2WT	2	.9	1
4W	4	1.8	1



HANGING BALANCE

Hook supports scoops. Dial is 8 1/2" (21.6 cm) diameter while overall height is 17 3/4" (45.1 cm). Note: 20 lb capacity measured in two revolutions.

ITEM	CAPACITY		INCREMENT		PACK
	LB	KG	OZ	G	
842	20	9	1	58.4	1

VIKING STRAIGHT SPRING BALANCES

Hanging scales save table space and can handle heavy, awkward loads that a platform cannot. Bottom hook holds scoops.

ITEM	CAPACITY		INCREMENT		IN	CM	PACK
	LB	KG	LB	KG			
895HS	50	22.7	1	.5	1 7/8 x 1 3/4 x 11 1/4	4.8 x 4.4 x 28.6	1
8910	100	45.3	1	.5	3 1/4 x 2 1/8 x 19	8.3 x 5.4 x 48.3	1
8920	200	91	2	1	3 1/4 x 2 1/8 x 19	8.3 x 5.4 x 48.3	1
8930	300	136	5	2.3	3 1/4 x 2 1/8 x 19	8.3 x 5.4 x 48.3	1



SCOOP WITH CHAINS

Merchandise holder for hanging type balances. Galvanized steel chains.

ITEM	IN	CM	PACK
8	17 x 11 1/4 x 5 1/2	43.2 x 28.6 x 14	1



All KitchenAid® food preparers come with solid-state controls for better performance. Each constructed of a heavy-duty metal composition, allows for cooler operation. The assortment of attachments fit all models increasing their versatility. All models available only in white.

COMMERCIAL MIXER

Industrial strength and warranted for commercial use. The 5 quart (4.7 liter) handled, stainless steel bowl is secured by arm supports and releases with a bowl lift handle. Includes stainless steel whip, flat beater, and dough hook. NSF listed.

ITEM	CURRENT/PLUG	PACK
KSMC50SW	115V-3 Prong Plug	1



“HEAVY-DUTY” SERIES MIXER

The 5 quart (4.7 liter) handled, stainless steel bowl is secured by arm supports and releases with bowl lift handle. Included is a stainless steel whip, a metal, nylon coated flat beater, and dough hook.

ITEM	CURRENT/PLUG	PACK
K5SS	115V-3 Prong Plug	1

“CLASSIC” SERIES MIXER

Comes complete with a 4 1/2 quart (4.3 liter) handled stainless steel bowl, a metal nylon coated flat beater and dough hook, and a stainless steel whip.

ITEM	CURRENT/PLUG	PACK
K45SS	115V-3 Prong Plug	1



KitchenAid® Mixer Attachments

We offer a wide selection of KitchenAid attachments from sausage stuffers to can openers, juice extractors to food grinders, beaters to wire whips, to make the most out of your KitchenAid mixer.



ROTOR SLICER/SHREDDER ATTACHMENT

This KitchenAid® attachment has a fine and coarse shredder along with a thick or thin slicer. Fits all KitchenAid® mixers.

ITEM	PACK
RVSA	1



FOOD CHOPPER GRINDER

Comes with fine and coarse grinding plates, stomper, and wrench. Use with KitchenAid mixers.

ITEM	PACK
FGA	1



SAUSAGE STUFFER KIT

Makes homemade sausage links. Fits KitchenAid mixers.

ITEM	PACK
SS	1



JUICE EXTRACTOR

Quickly and easily juices citrus fruits. Fits KitchenAid mixers.

ITEM	PACK
JE	1

FRUIT/VEGETABLE STRAINER & FOOD GRINDER

For juicing and pureeing food. Fits KitchenAid mixers.

ITEM	PACK
FVSFGA	1





WIRE WHIP

For mixing liquids.

ITEM	PACK
K45WW	1

STAINLESS STEEL BOWL

Fits KitchenAid® mixers.

ITEM	PACK
K45SB	1



DOUGH HOOK

For kneading dough.

ITEM	PACK
K45DH	1



BEATER & PASTRY ATTACHMENT

Nylon coated, flat metal beater.

ITEM	PACK
K5B	1
K45B	1



MIXER ACCESSORIES

Accessories for KitchenAid mixers.

ITEM	DESCRIPTION	PACK
K5SB	S/S Bowl	1
K5WW	Wire Whip	1
K5DH	Dough Hook	1
K5PS	Pouring Shield	1
K5AWJ	Water Jacket	1





NOODLE CUTTER

This table mounted pasta machine cuts noodles as fine as angel hair, or as wide as lasagna. Stainless steel body disassembles easily for cleaning. Furnished with a fine and medium roller and a table clamp.

ITEM	IN	CM	PACK
12151	7 1/2 x 7 1/2 x 5	19.1 x 19.1 x 12.7	1



TOMATO SLICER

Prepares perfect tomato slices, quickly and safely. Can also be used to slice strawberries and mushrooms in a high volume commercial operation. Positive stop arm.

ITEM	IN	CM	PACK
75870	19 x 10 x 9 3/4	48.3 x 25.4 x 24.8	1



GRILL CLEANER SCREEN

Strong, flexible mesh is covered on both sides with sharp, abrasive grains. Use them to quickly cut away even the most stubborn burned spots. They are easy to use: just pour a little grease on the warm grill, hold the screen down on the grill with the holder to protect your hand, and rub briskly, but lightly. Wipe with a clean cloth to see your grill sparkle once again.

ITEM	SHEETS PER ENVELOPE	IN	CM	ENVELOPES PER CASE
3100EP	8	4 1/2 x 5 1/2	11.4 x 14	50



GRILL SCREEN HOLDER

Use this metal holder to protect your hands and provide even pressure on the grill. The clamp action holds the grill screen securely and permits easy changing.

ITEM	IN	CM	PACK
3300	5 x 3	12.7 x 7.6	12



ALEGACY FRENCH FRY CUTTER

Heavy-duty cast body, cast iron handle, and stainless steel trough. The frame, pusher block, and cutting frame are all rust proof. Has a capacity of potatoes 6" (15.2 cm) long and up to 50 lb (22.7 kg) of potatoes per hour. Can be wall or table mounted.

ITEM	DESCRIPTION	PACK
A250	1/4" (.6 cm) Cut	1
A375	3/8" (1 cm) Cut	1
A500	1/2" (1.3 cm) Cut	1



FRENCH FRY CUTTER PARTS LIST

ITEM	DESCRIPTION
A1	Handle
A2	Bolt Nut and Screw
A3	Front End Casting
A4	Wing Nut
A5	Slide Rod
A6	Slide Rod Nut
A7C	Back End Casting
A8L	Link Connector Screw & Nut
A9P	Potato Pusher
A10P	Pusher Connector Casting
A11P	Pusher Connector Screw
A12P	Pusher Block Screw
A13L	Link
A14B	Blade Locking Screw
A15C	1/4" (.6 cm) Cutting Frame
A15S	3/8" (.9 cm) Cutting Frame
A15F	1/2" (1.3 cm) Cutting Frame
A16S	3/8" (.9 cm) Pusher Block
A16C	1/4" (.6 cm) Pusher Block
A16F	1/2" (1.3 cm) Pusher Block
A17T	Tray

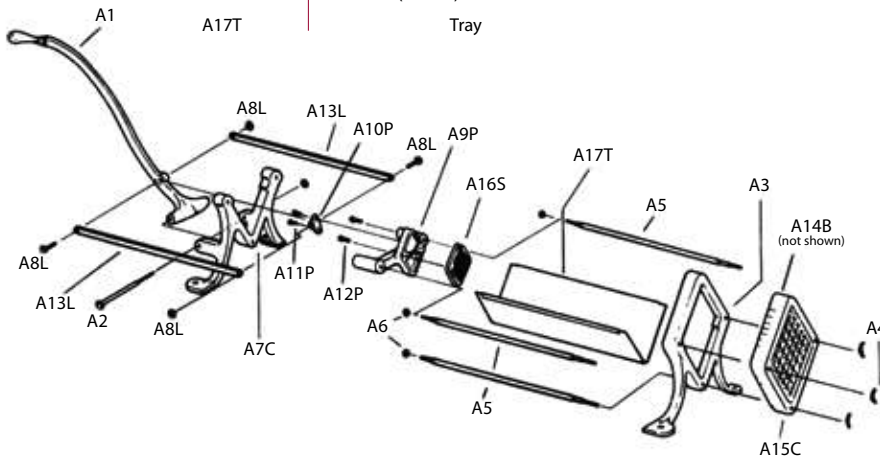
ALEGACY POTATO WEDGE CUTTER

Saves time and money with fast, one-step cutting. Makes potato wedges, french fries, and more with accessory attachments available.

ITEM	DESCRIPTION	PACK
ALW6	6 Cut Wedge Shape	1
ALW8	8 Cut Wedge Shape	1

WEDGE CUTTER PARTS

ITEM	DESCRIPTION	PACK
ALW6C	Wedge Cutter, 6 Cut	1
ALW6P	Pusher Block, 6 Cut	1
ALW8C	Wedge Cutter, 8 Cut	1
ALW8P	Pusher Block, 8 Cut	1





HAND CHEESE GRATER

Hand held cheese grater is made to withstand the rigors of frequent use in the kitchen or at tableside.

ITEM	IN	CM	PACK
72667	5 1/2 x 3 3/8 x 3 1/4	13.9 x 8.6 x 8.3	1



MEAT CHOPPER

Heavy-duty meat chopper makes ground beef, other ground meats, and more. Furnished with a 3/16" (.5 cm) plate.

ITEM	DESCRIPTION	PLATE DIAMETER		PACK
		IN	CM	
MC10	Standard	2 1/2	6.4	1
MC32	Heavy-Duty	3 3/4	9.5	1



8J

SUNKIST ELECTRIC JUICER

Make fresh juices every day with the Sunkist electric juicer. Juicer has a 1 1/4 hp motor with a non-corroding switch, 1750 RPM for clean, smooth reaming and sealed, lifetime bearings. Unit is 17" (43.2 cm) high by 8" (20.3 cm) in diameter. UL listed.

ITEM	CURRENT	PACK
8J	115V/50C	1
8J230-50	230V/50C	1
8J230-60	230V/60C	1

MANUAL JUICERS

Sturdy commercial tabletop juicers make juice production fast and easy. Makes more juice with less waste from a citrus half. Available in black enamel finish with cast aluminum and porcelain components (#75861) or in a chrome-plated body with an 18/8 stainless steel juicer cup (#75858).

ITEM	DESCRIPTION	IN	CM	PACK
75858	Small Deluxe	5 x 7 x 19	12.7 x 17.8 x 48.3	1
75861	Large Heavy-Duty	7 x 9 x 23	17.8 x 22.9 x 58.4	1



75858



75861